

Product Leaflet

1. Product: Hi-CaSi (30/70) 1310200 (Calcium Silicon)

Hi-CaSi is a new product of the Hi-Core family designed to be injected in steels without silicon restrictions. This technology allows to reach high and more stable levels of calcium with an optimum consumption, and its splashing is less compared with pure conventional cored wire.



2. Chemical analysis:

Ca 28-30%

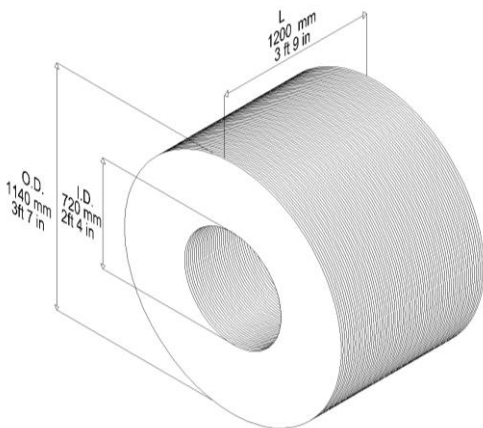
Si 68-72%

3. Description:

Wire diameter	Nominal	13mm	(0.551 in)
Powder weight	Nominal	203 gr/mt	(0.136 lb/ft)
Wire weight	Nominal	538 gr/mt	(0.362 lb/ft)
Net powder weight	Nominal	771 kg	(1701 lb)
Coil gross weight	Nominal	2044 kg	(4507 lb)

4. Coil dimensions:

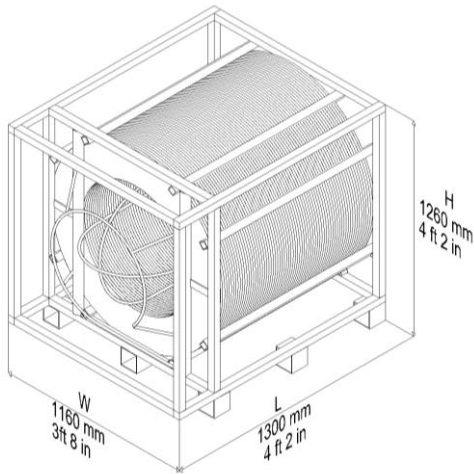
Inner diameter	Nominal	720mm	(2ft 4 in)
Outer diameter	Nominal	1140mm	(3ft 7 in)
Coil height	Nominal	1200mm	(3ft 9in)
Coil length	Nominal	3800mts	(12467ft)



4. Packaging dimensions:

Horizontal cage

Cage height (H)	Nominal	1260 mm	(4ft 2 in)
Cage width (W)	Nominal	1160 mm	(3ft 8 in)
Cage large (L)	Nominal	1300 mm	(4ft 2 in)



Vertical cage

Cage height (H)	Nominal	1400 mm	(4ft 6 in)
Cage width (W)	Nominal	1160 mm	(3ft 8 in)
Cage large (L)	Nominal	1160 mm	(3ft 8 in)

