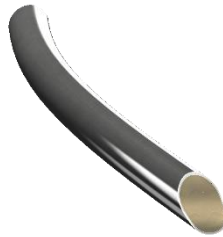


Product Leaflet

1. Product: **Hi-Ca® 101070 (Pure Calcium)**

Application: **Hi-Ca®** is a revolutionary new calcium treatment process adding calcium to liquid steel for castability improvement and inclusion modification. It combines technology changing ultra high recoveries of calcium, with the ability to be injected with standard feeding technology.



2. Chemical analysis:

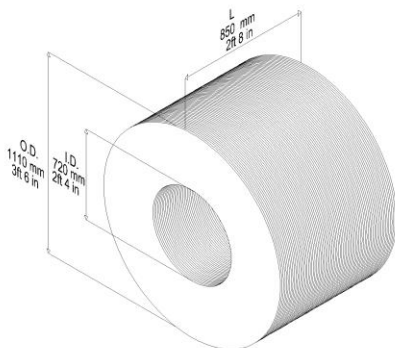
Ca 98% min.

3. Description:

Wire diameter	Nominal	10mm	(0.39 in)
Powder weight	Nominal	69 gr/mt	(0.046 lb/ft)
Wire weight	Nominal	292 gr/mt	(0.196 lb/ft)
Net powder weight	Nominal	359 kg	(791 lb)
Coil gross weight	Nominal	1518 kg	(3347 lb)

4. Coil dimensions:

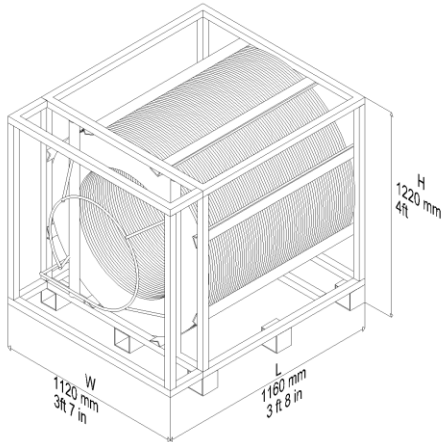
Inner diameter	Nominal	720mm	(2ft 4 in)
Outer diameter	Nominal	1110mm	(3ft 6 in)
Coil height	Nominal	850mm	(2ft 8 in)
Coil length	Nominal	5200mts	(17060 ft)



4. Packaging dimensions:

Horizontal cage

Cage height (H)	Nominal	1220	mm	(4ft)
Cage width (W)	Nominal	1120	mm	(3ft 7 in)
Cage large (L)	Nominal	1160	mm	(3ft 8 in)



Vertical cage

Cage height (H)	Nominal	1260	mm	(4ft 1 in)
Cage width (W)	Nominal	1120	mm	(3ft 7 in)
Cage large (L)	Nominal	1120	mm	(3ft 7 in)

