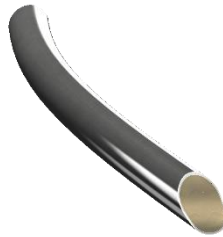


Product Leaflet

1. Product: **Hi-Ca/® 1310100 (Pure Calcium)**

Application: **Hi-Ca/®** is a revolutionary new calcium treatment process adding calcium to liquid steel for castability improvement and inclusion modification. It combines technology changing ultra high recoveries of calcium, with the ability to be injected with standard feeding technology.



2. Chemical analysis:

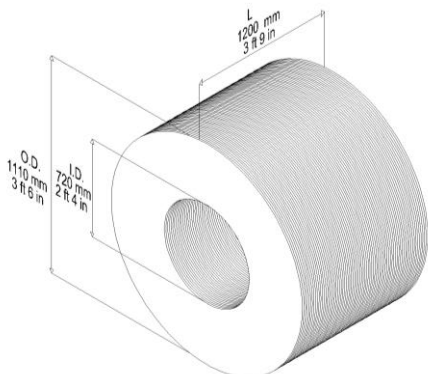
Ca 98% min.

3. Description:

Wire diameter	Nominal	13mm	(0.512 in)
Powder weight	Nominal	100 gr/mt	(0.067lb/ft)
Wire weight	Nominal	347 gr/mt	(0.233 lb/ft)
Net powder weight	Nominal	580 kg	(1279 lb)
Coil gross weight	Nominal	2013 kg	(4437 lb)

4. Coil dimensions:

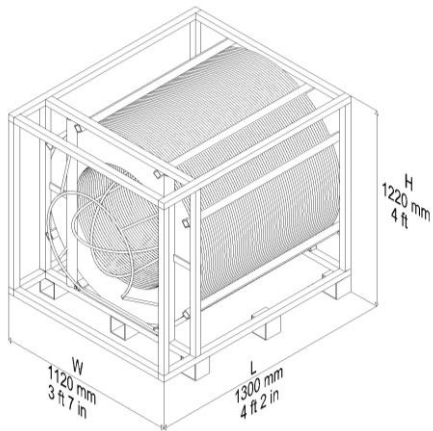
Inner diameter	Nominal	720mm	(2ft 4 in)
Outer diameter	Nominal	1110mm	(3ft 6 in)
Coil height	Nominal	1200mm	(3ft 9 in)
Coil length	Nominal	5800mts	(19029 ft)



4. Packaging dimensions:

Horizontal cage

Cage height (H)	Nominal	1220	mm	(4ft)
Cage width (W)	Nominal	1120	mm	(3ft 7 in)
Cage large (L)	Nominal	1300	mm	(4ft 2 in)



Vertical cage

Cage height (H)	Nominal	1400	mm	(4ft 6 in)
Cage width (W)	Nominal	1120	mm	(3ft 7 in)
Cage large (L)	Nominal	1120	mm	(3ft 7 in)

