

## Product Leaflet

### 1. Product: Hi-FeCa 1310300 (Ferro Calcium)

Application: Hi-FeCa is a revolutionary new calcium treatment process adding calcium to liquid steel for castability improvement and inclusion modification. It combines technology changing ultra high recoveries of calcium, with the ability to be injected with standard feeding technology.



### 2. Chemical analysis:

Fe 68-72%

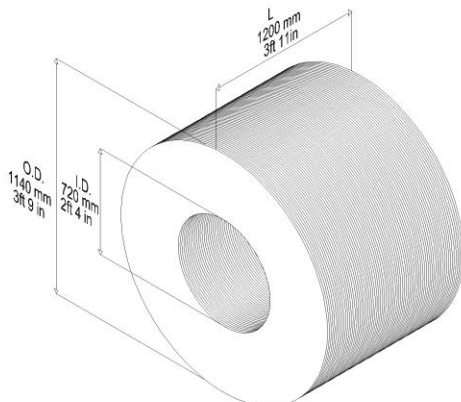
Ca 28-32%

### 3. Description:

Wire diameter	Nominal	13mm	(0.51 in)
Powder weight	Nominal	300 gr/mt	(0.202 lb/ft)
Wire weight	Nominal	630 gr/mt	(0.423 lb/ft)
Net powder weight	Nominal	1140 kg	(2513 lb)
Coil gross weight	Nominal	2394 kg	(5278 lb)

### 4. Coil dimensions:

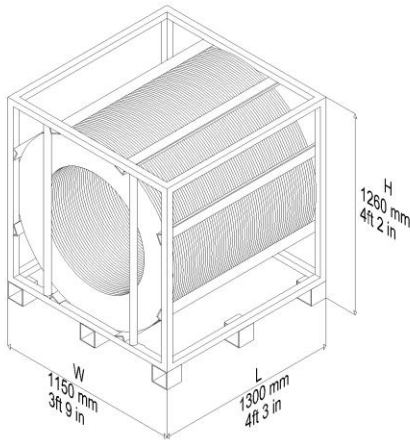
Inner diameter	Nominal	720mm	(2ft 4 in)
Outer diameter	Nominal	1140mm	(3ft 9 in)
Coil height	Nominal	1200mm	(3ft 11in)
Coil length	Nominal	3800mts	(12467ft)



## 4. Packaging dimensions:

### Horizontal cage

Cage height (H)	Nominal	1260	mm	(4ft 2 in)
Cage width (W)	Nominal	1150	mm	(3ft 9 in)
Cage large (L)	Nominal	1300	mm	(4ft 2 in)



### Vertical cage

Cage height (H)	Nominal	1400	mm	(4ft 7 in)
Cage width (W)	Nominal	1150	mm	(3ft 9 in)
Cage large (L)	Nominal	1150	mm	(3ft 9 in)

