

Product Leaflet

1. Product: Hi-FeTi 1312400 (Ferro Titanium)

The Hi-FeTi product is a new product of the Hi-Core family designed to be injected in steels that required grain refinement and strict chemical analysis control. It has demonstrated to reach yields close to 100 percent.



2. Chemical analysis:

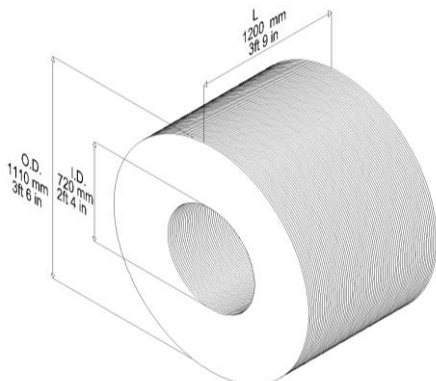
Ti 70%

3. Description:

Wire diameter	Nominal	13mm	(0.51 in)
Powder weight	Nominal	409 gr/mt	(0.275 lb/ft)
Wire weight	Nominal	730 gr/mt	(0.491 lb/ft)
Net powder weight	Nominal	1554 kg	(3426 lb)
Coil gross weight	Nominal	2774 kg	(6116 lb)

4. Coil dimensions:

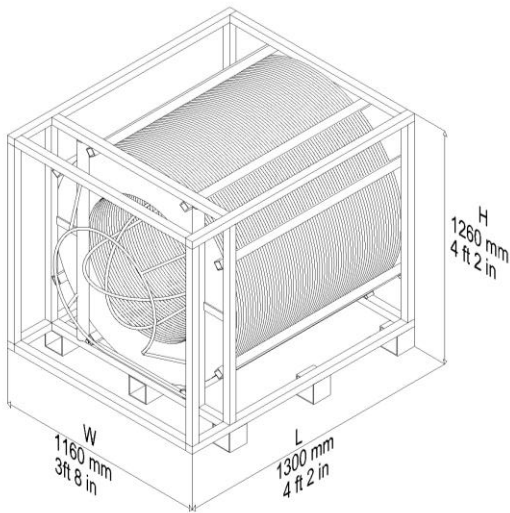
Inner diameter	Nominal	720mm	(2ft 4 in)
Outer diameter	Nominal	1110mm	(3ft 6 in)
Coil height	Nominal	1200mm	(3ft 9in)
Coil length	Nominal	3800mts	(12467ft)



4. Packaging dimensions:

Horizontal cage

Cage height (H)	Nominal	1260 mm	(4ft 2 in)
Cage width (W)	Nominal	1160 mm	(3ft 8 in)
Cage large (L)	Nominal	1300 mm	(4ft 2 in)



Vertical cage

Cage height (H)	Nominal	1400 mm	(4ft 6 in)
Cage width (W)	Nominal	1160 mm	(3ft 8 in)
Cage large (L)	Nominal	1160 mm	(3ft 8 in)

